

# Magnetic Float Level Transmitter / Stainless steel

## Type

**ALE/V/R-1½-V/K..-L../12-SVK44/15/V**

**ALE/V/R-2-V/K..-L../12-SV52/15/V**

Material quality:	1.4404 / 1.4435 / 1.4571 ( 316L / 316Ti )	1.4404 / 1.4435 / 1.4571 ( 316L / 316Ti )
Electrical connection:	ALE Aluminium terminal box	ALE Aluminium terminal box
Process connection:	G 1½"	G 2"
Guide tube:	Ø 12 mm ( Accuracy type K5.. Ø 14 mm )	Ø 12 mm ( Accuracy type K5.. Ø 14 mm )
Length of instrument:	≤ 5000 mm*	≤ 5000 mm*
Float:	SVK44/15/V Ø 44 mm	SV52/15/V Ø 52 mm
Specific gravity:	≥ 800 kg/m³	≥ 700 kg/m³
Design pressure:	-1 bar ... 25 bar ( depending on temperature )	-1 bar ... 40 bar ( depending on temperature )
Design temperature:	See accuracy	See accuracy
Ingress protection class:	IP 65	IP 65
Mounting position:	Vertical +/-30°	Vertical +/-30°

## Accuracy

Type K.. ( -30°C ... 130°C ) Accuracy:	5 / 10 / 12.7 / 15 mm	5 / 10 / 12.7 / 15 mm
Type K..HTF ( -30°C ... 200°C ) Accuracy:	5 / 10 / 15 mm	5 / 10 / 15 mm
Type K..HT ( -40°C ... 250°C ) Accuracy:	5 / 10 / 15 mm	5 / 10 / 15 mm

## Option control unit / Page 55

Control unit:	- Programmable - Hart-programmable - Profibus PA - Foundation Fieldbus	- Programmable - Hart-programmable - Profibus PA - Foundation Fieldbus
---------------	---	---

## Option temperature probe / Page 56

Temperature probe:	Pt-100 / Pt-1000	Pt-100 / Pt-1000
Norm:	IEC 751 Kl.B	IEC 751 Kl.B

## Option temperature switch / Page 56

Function:	Normally closed or normally open	Normally closed or normally open
Switching capacity:	Page 56	Page 56
Accuracy / Hysteresis:	Page 56	Page 56
Temperature / Grading:	Page 56	Page 56

## Minimum measures

ALE/V/R-1½-V/K..-L../12-SVK44/15/V  
L1: ≥ 50 mm  
U: 45 mm

## Approvals / Certificates

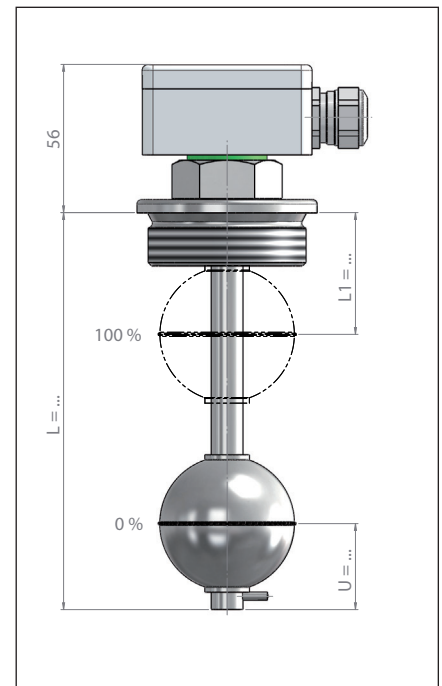
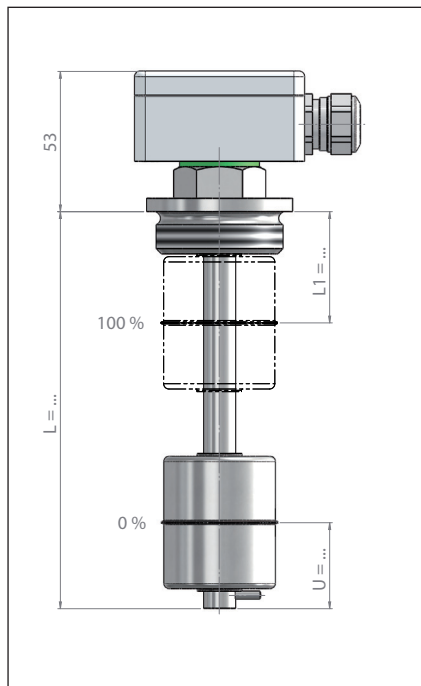
ATEX / PED / GOST / GL / BV / ABS / WHG

## Minimum measures

ALE/V/R-2-V/K..-L../12-SV52/15/V  
L1: ≥ 55 mm  
U: 45 mm

## Approvals / Certificates

ATEX / PED / GOST / GL / BV / ABS / WHG



The Magnetic Float Level Transmitter are based on a modular design and can be arranged individually.

**Type key page 10 - 13**

\* ATEX-design = if length of instrument ≥ 4000 mm please choose different material quality for guide tube and float