

ROBIN

TELECOM DEVELOPMENT



ROBIN Tech Note

Version: 1.0 ENG - concept
Datum: 26-04-2012



How-To:
Robin and WEBRelay

Robin and WEBRelays

The Robin SmartView (SV) and Robin SIP s2 are equipped with one built-in relay, often used to open doors and gates.

If one relay is not sufficient for your needs you can use an IP-controlled external relay box. The Robin SV and Robin SIP s2 are compatible with the WEBRelay Quad-LS. It is equipped with 4 relay switches and is powered by Power over Ethernet (PoE) or a separate power adapter.

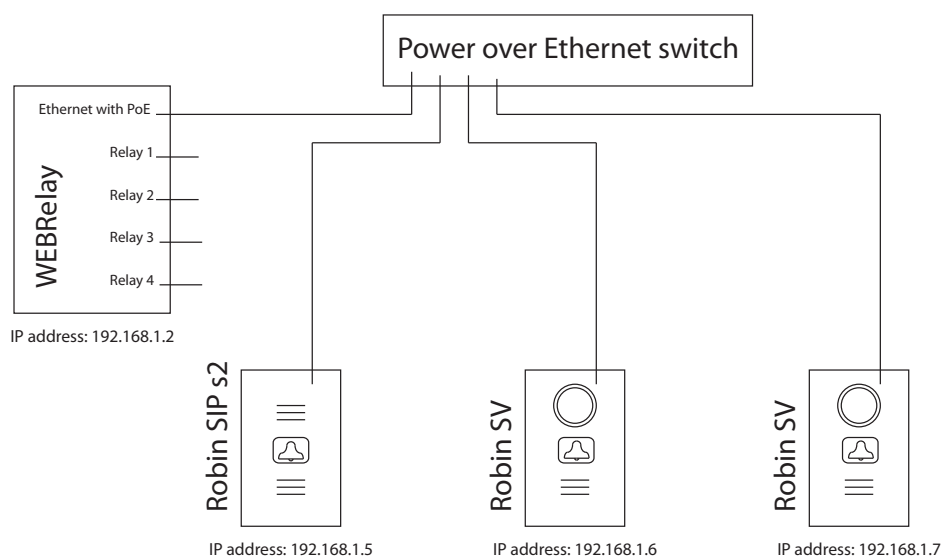
This document explains how the Robin SV and SIP s2 can connect with the WEBRelay and how to use 'Events' of the Robin to operate the relay switches of the WEBRelay.

Configuration of the WEBRelay and the Robin

The possibilities of the Robin and the WEBRelay are almost countless, but we'll explain some of the possibilities using the following example.

Connection example

This example shows how three Robin products can use one WEBRelay.



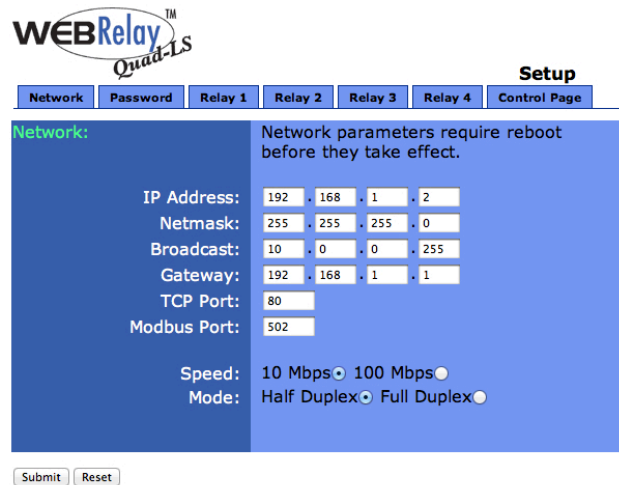
- 1 The Robin SIP s2 with IP address 192.168.1.5 activates relay 1 of the WEBRelay when a connection between the Robin and a telephone is established and on that telephone the '*1' keys are pressed. It stays activated for the duration of 5 seconds.
- 2 The Robin SV with IP address 192.168.1.6 activates relay 2 of the WEBRelay every time the unit makes a call to a telephone and deactivates when the call is disconnected.
- 3 The Robin SV with IP address 192.168.1.7 activates relay 3 of the WEBRelay every time the camera in the unit detects motion. The relay stays activated for a minimum duration of 10 seconds.

Configuration of the WEBRelay

The WEBRelay needs some basic configuration before it can be used with a Robin product.

IP address:

By default, the WEBRelay uses IP address 192.168.1.2. You'll need to change this to an address that is reachable by the Robin. For this example you can leave it as it is.



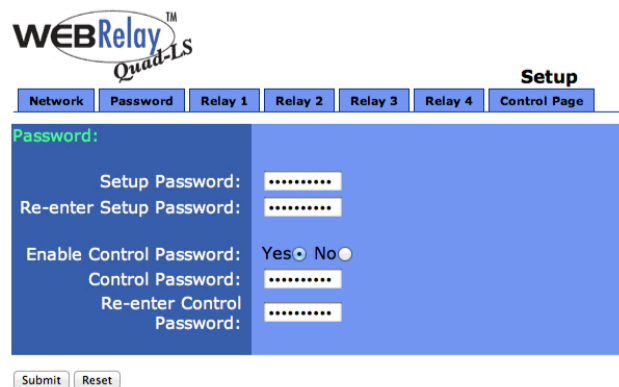
The screenshot shows the WEBRelay Quad-LS Setup interface. The 'Network' tab is selected. The page displays network configuration parameters with a warning that changes require a reboot. The parameters are as follows:

Parameter	Value
IP Address:	192 . 168 . 1 . 2
Netmask:	255 . 255 . 255 . 0
Broadcast:	10 . 0 . 0 . 255
Gateway:	192 . 168 . 1 . 1
TCP Port:	80
Modbus Port:	502
Speed:	10 Mbps <input checked="" type="radio"/> 100 Mbps <input type="radio"/>
Mode:	Half Duplex <input type="radio"/> Full Duplex <input checked="" type="radio"/>

Buttons: Submit, Reset

Password:

By default, you don't need a password to control the relay. For security purposes it's recommended to set a 'Control password' and to change the default 'Setup password' of the WEBRelay.



The screenshot shows the WEBRelay Quad-LS Setup interface. The 'Password' tab is selected. The page displays password configuration options:

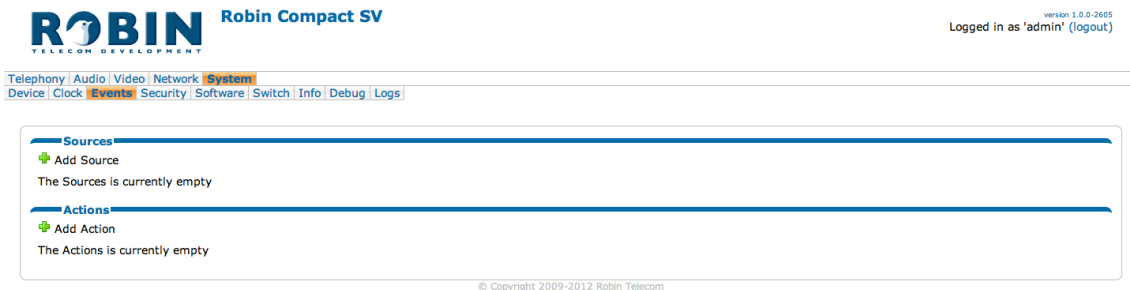
Setup Password:	*****
Re-enter Setup Password:	*****
Enable Control Password:	Yes <input type="radio"/> No <input checked="" type="radio"/>
Control Password:	*****
Re-enter Control Password:	*****

Buttons: Submit, Reset

Configuration of the Robin

You can configure the 'Events' in -System-Events- in the WEB-GUI of the Robin.

The configuration of the Robin SIP s2 (192.168.1.5):



Click on 'Add Source'



- Define a name for this 'Source', in this case 'Activate Relay 1'
- Select the 'Source type', in this case 'dtmf'
- The minimal duration will keep this source active for at least 1 second. Leave it like this
- Select the key that will follow the *, in this case 1
- Apply settings

Click on 'Add Action'

ROBIN Robin Compact SV version 1.0.0-2605
Logged in as 'admin' (logout)

Telephony | Audio | Video | Network | **System**
 Device | Clock | **Events** | Security | Software | Switch | Info | Debug | Logs

Switch Relay 1

Delete Action

- Name
- Enable
- Source type
- Edge
- Action type
- Address
- Relay
- Action
- Duration
- Use authentication
- Password

© Copyright 2009-2012 Robin Telecom

- Define a name for this 'Action', in this case 'Switch Relay 1'
- Select the 'Source type', in this case the just created source: 'Activate Relay 1'
- Select the 'Action type', in this case 'webrelay'
- At 'Address', fill-in the IP address of the WEBRelay, in this case 192.168.1.2
- Select the relay to switch, in this case relay 1
- Select the 'Action', in this case 'Pulse' to activate the relay and deactivate it after a defined time
- Define the duration (the time that the relay stays active), in this case 5 seconds
- If the WEBRelay needs 'Authentication', select it and fill in the password
- Apply settings

The Robin will now activate relay 1 of the WEBRelay if during a conversation between the Robin and a phone the '*' followed by the '1' are pressed. The 'Events' page will look like this:

ROBIN Robin Compact SV version 1.0.0-2605
Logged in as 'admin' (logout)

Telephony | Audio | Video | Network | **System**
 Device | Clock | **Events** | Security | Software | Switch | Info | Debug | Logs

Sources

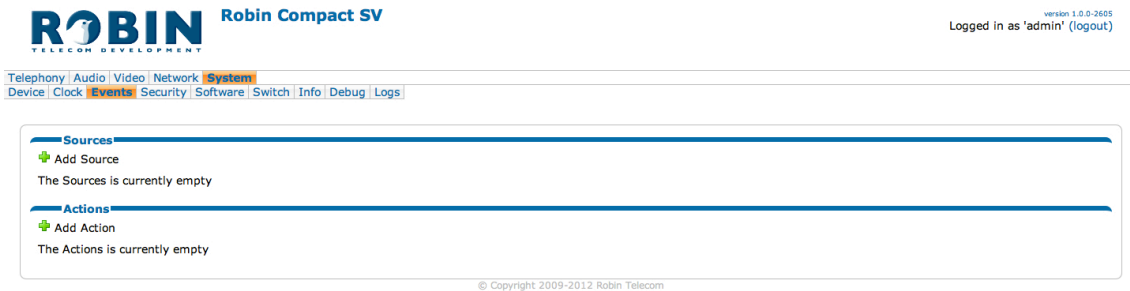
Name	Enable	Active	Source type	Min duration
Activate Relay 1	<input checked="" type="checkbox"/>	<input type="checkbox"/>	Dtmf	1 seconds

Actions

Name	Enable	Source type	Action type
Switch Relay 1	<input checked="" type="checkbox"/>	Activate Relay 1	Webrelay

© Copyright 2009-2012 Robin Telecom

The configuration of the Robin SV (192.168.1.6):



The screenshot shows the Robin Compact SV web interface. At the top left is the logo "ROBIN TELECOM DEVELOPMENT" and "Robin Compact SV". At the top right, it says "version 1.0.0-2605" and "Logged in as 'admin' (logout)". Below the header is a navigation menu with "Telephony", "Audio", "Video", "Network", "System", "Device", "Clock", "Events", "Security", "Software", "Switch", "Info", "Debug", and "Logs". The main content area has two sections: "Sources" with a green plus icon and "Add Source" button, and "Actions" with a green plus icon and "Add Action" button. Both sections state "The Sources is currently empty" and "The Actions is currently empty" respectively. At the bottom, there is a copyright notice: "© Copyright 2009-2012 Robin Telecom".

Click on 'Add Source'



The screenshot shows the "Delete Source" configuration form in the Robin Compact SV web interface. The form has a red 'X' icon and the title "Delete Source". It contains several fields: "Name" with the value "Outgoing call", "Enable" with a checked checkbox, "Active" with an unchecked checkbox, "Source type" with a dropdown menu set to "Call", "Min duration" with a text input "1" and "seconds" next to it, and "Direction" with a dropdown menu set to "Outgoing". There is an "Apply settings" button at the bottom left. At the bottom, there is a copyright notice: "© Copyright 2009-2012 Robin Telecom".

- Define a name for this 'Source', in this case 'Outgoing call'
- Select the 'Source type', in this case 'Call'
- The minimal duration will keep this source active for at least 1 second. Leave it like this
- Select the direction of the call, in this case 'Outgoing' (call initiated by the Robin)
- Apply settings

Click on 'Add Action'

The screenshot shows the Robin Compact SV web interface. At the top left is the 'ROBIN TELECOM DEVELOPMENT' logo and 'Robin Compact SV'. At the top right, it says 'version 1.0.0-2605' and 'Logged in as 'admin' (logout)'. Below the header is a navigation menu with 'Telephony', 'Audio', 'Video', 'Network', and 'System' (highlighted). Under 'System', there are sub-menus: 'Device', 'Clock', 'Events', 'Security', 'Software', 'Switch', 'Info', 'Debug', and 'Logs'. The main content area is titled 'Relay 2 on' and has a 'Delete Action' link. The configuration fields are as follows:

Name	Relay 2 on
Enable	<input checked="" type="checkbox"/>
Source type	Outgoing call
Edge	Rising
Action type	Webrelay
Address	192.168.1.2
Relay	2
Action	On
Use authentication	<input checked="" type="checkbox"/>
Password	*****

At the bottom of the form is an 'Apply settings' button. A copyright notice at the bottom center reads '© Copyright 2009-2012 Robin Telecom'.

- Define a name for this 'Action', in this case 'Relay 2 on'
- Select the 'Source type', in this case the just created source: 'Outgoing call'
- Select Edge, in this case 'Rising' (=start of call)
- Select the 'Action type', in this case 'webrelay'
- At 'Address', fill-in the IP address of the WEBRelay, in this case 192.168.1.2
- Select the relay to switch, in this case relay 2
- Select the 'Action', in this case 'On'
- If the WEBRelay needs 'Authentication', select it and fill in the password
- Apply settings

The Robin will now activate relay 2 of the WEBRelay when the connection between the Robin and a phone is established. To make sure it will deactivate the relay when the call has ended it's necessary to create a second 'Action'.

ROBIN RobIn Compact SV version 1.0.0-2655
Logged in as 'admin' (logout)

Telephony | Audio | Video | Network | **System**
 Device | Clock | **Events** | Security | Software | Switch | Info | Debug | Logs

Relay 2 off

Delete Action

- Name
- Enable
- Source type
- Edge
- Action type
- Address
- Relay
- Action
- Use authentication
- Password

- Define a name for this 'Action', in this case 'Relay 2 off'
- Select the 'Source type', in this case the just created source: 'Outgoing call'
- Select Edge, in this case 'Falling' (=end of call)
- Select the 'Action type', in this case 'webrelay'
- At 'Address', fill-in the IP address of the WEBRelay, in this case 192.168.1.2
- Select the relay to switch, in this case relay 2
- Select the 'Action', in this case 'Off'
- If the WEBRelay needs 'Authentication', select it and fill in the password
- Apply settings

The Robin will now deactivate relay 2 of the WEBRelay when the connection between the Robin and a phone has ended. The 'Events' page will look like this:

ROBIN RobIn Compact SV version 1.0.0-2655
Logged in as 'admin' (logout)

Telephony | Audio | Video | Network | **System**
 Device | Clock | **Events** | Security | Software | Switch | Info | Debug | Logs

Sources

Name	Enable	Active	Source type	Min duration
Outgoing call	<input checked="" type="checkbox"/>	<input type="checkbox"/>	Call	1 seconds

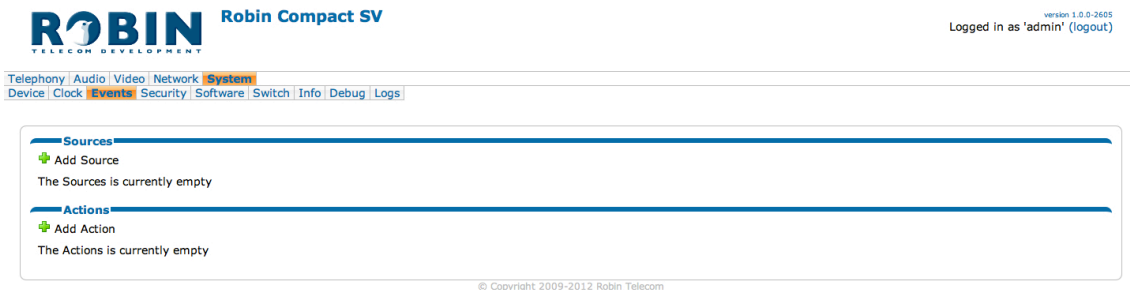
Actions

Name	Enable	Source type	Action type
Relay 2 off	<input checked="" type="checkbox"/>	Outgoing call	Webrelay
Relay 2 on	<input checked="" type="checkbox"/>	Outgoing call	Webrelay

© Copyright 2009-2012 Robin Telecom

The configuration of the Robin SV (192.168.1.7):

! Note: Before defining a new 'Event', first you'll need to create a good working 'Motion' trigger in the Robin SV (-Video-Motion- in the WEB-GUI). More information about 'Motion' can be found in the manual of the Robin SV. !



Click on 'Add Source'



- Define a name for this 'Source', in this case 'Motion detection'
- Select the 'Source type', in this case 'Motion'
- In this example we set the 'Min. duration' to 10 seconds. This will keep the event active for at least 10 seconds. If the motion is active for e.g. 22 seconds, 10 seconds are added to that time, so the relay will remain active for 32 seconds in total
- Apply settings

Click on 'Add Action'

The screenshot shows the Robin Compact SV web interface. At the top left is the 'ROBIN TELECOM DEVELOPMENT' logo and 'Robin Compact SV'. At the top right, it says 'version 1.0.0-2605' and 'Logged in as 'admin' (logout)'. Below the header is a navigation menu with 'Telephony', 'Audio', 'Video', 'Network', 'System', 'Device', 'Clock', 'Events', 'Security', 'Software', 'Switch', 'Info', 'Debug', and 'Logs'. The 'System' menu is highlighted. The main content area is titled 'Relay 3 on' and has a 'Delete Action' link. The configuration form includes the following fields:

- Name: Relay 3 on
- Enable:
- Source type: Motion detection
- Edge: Rising
- Action type: Webrelay
- Address: 192.168.1.2
- Relay: 3
- Action: On
- Use authentication:
- Password: *****

At the bottom of the form is an 'Apply settings' button. A copyright notice at the bottom center reads '© Copyright 2009-2012 Robin Telecom'.

- Define a name for this 'Action', in this case 'Relay 3 on'
- Select the 'Source type', in this case the just created source: 'Motion detection'
- Select Edge, in this case 'Rising' (=start of motion trigger)
- Select the 'Action type', in this case 'webrelay'
- At 'Address', fill-in the IP address of the WEBRelay, in this case 192.168.1.2
- Select the relay to switch, in this case relay 3
- Select the 'Action', in this case 'On'
- If the WEBRelay needs 'Authentication', select it and fill in the password
- Apply settings

The Robin will now activate relay 3 of the WEBRelay when motion is detected. To make sure it will deactivate the relay when the motion is stopped it's necessary to create a second 'Action'.

ROBIN Robin Compact SV version 1.0.0-2655
Logged in as 'admin' (logout)

Telephony | Audio | Video | Network | **System**
Device | Clock | **Events** | Security | Software | Switch | Info | Debug | Logs

Relay 3 off

Delete Action

- Name
- Enable
- Source type
- Edge
- Action type
- Address
- Relay
- Action
- Use authentication
- Password

© Copyright 2009-2012 Robin Telecom

- Define a name for this 'Action', in this case 'Relay 3 off'
- Select the 'Source type', in this case the just created source: 'Motion detection'
- Select Edge, in this case 'Falling' (=end of motion)
- Select the 'Action type', in this case 'webrelay'
- At 'Address', fill-in the IP address of the WEBRelay, in this case 192.168.1.2
- Select the relay to switch, in this case relay 3
- Select the 'Action', in this case 'Off'
- If the WEBRelay needs 'Authentication', select it and fill in the password
- Apply settings

The Robin will now deactivate relay 3 of the WEBRelay when the motion has stopped. The 'Events' page will look like this:

ROBIN Robin Compact SV version 1.0.0-2655
Logged in as 'admin' (logout)

Telephony | Audio | Video | Network | **System**
Device | Clock | **Events** | Security | Software | Switch | Info | Debug | Logs

Sources

Name	Enable	Active	Source type	Min duration
Motion detection	<input checked="" type="checkbox"/>	<input type="checkbox"/>	Motion	10 seconds

Actions

Name	Enable	Source type	Action type
Relay 3 off	<input checked="" type="checkbox"/>	Motion detection	Webrelay
Relay 3 on	<input checked="" type="checkbox"/>	Motion detection	Webrelay

© Copyright 2009-2012 Robin Telecom